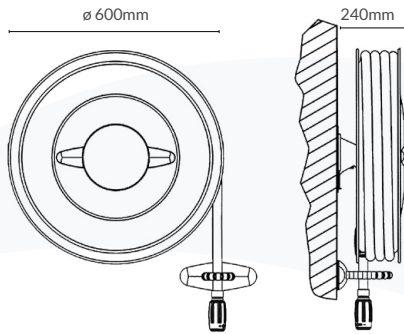


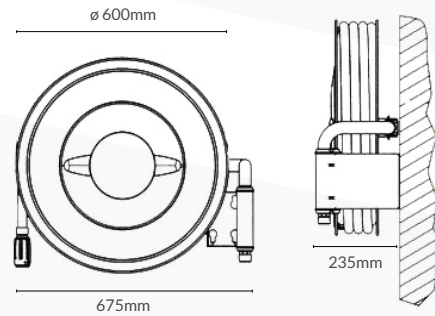


Manual Hose Reels

Our fixed and swinging manual hose reels are ideal for use in factories, warehouses and other large public buildings. Suitable for wall-mounting with an adjustable brake they are CE marked to NS-EN671-1 standards. The compact unit includes 1 inch manual stop valve, Jet/ Spray/ Shut off Nozzle and wall-mounted bracket.



Fixed Manual



Swinging Manual

SUPPLIED WITH

- Hose reel with side discs powder coated RAL 3001 red gloss 15
- 1 inch manual stop valve
- NOHA installation instructions
- Wall-mounting bracket
- Roller hose guide allowing the hose to be run out in any direction
- Centre parts made of brass
- Adjustable brake
- Clockwise rotation
- Jet/Spray/Shut off nozzle

INLET

3/4 inch Male BSP

OPTIONS

19mm or 25mm.
Maximum length of hose 30 metres.

SUPPLIED WITH

- Hose reel with side discs powder coated RAL 3001 red gloss 15
- 1 inch Manual stop valve
- Quick-change coupling system on reel outlet
- Jet / spray/ shut-off nozzle
- Mounting template
- Swinging arm with internal waterways, hinged on right hand side
- Centre parts made of brass
- Adjustable brake
- NOHA installation instructions

INLET

1 inch Male BSP

OPTIONS

19mm or 25mm.
Maximum length of hose 30 metres.



Our NOHA Automatic Hose Reels are CE Marked according to NS-EN671-1