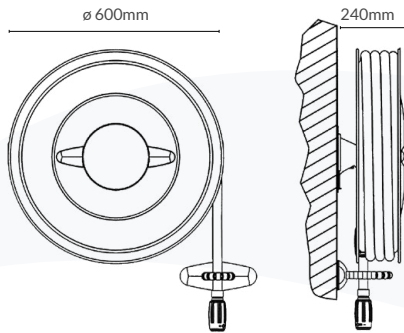


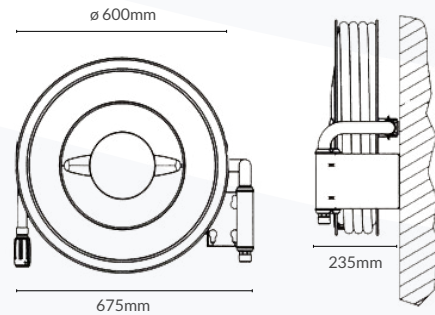


Automatic Hose Reels

Our fixed and swinging automatic hose reels have an automatic stop valve that opens to provide full capacity within just two revolutions of the reel. They are ideal for use in factories, warehouses and other large public buildings with an adjustable brake. The compact unit includes a Jet/ Spray/ Shut off Nozzle and wall-mounted bracket.



Fixed Automatic



Swinging Automatic

SUPPLIED WITH

- Hose reel with side discs powder coated RAL 3001 red gloss 15
- Integrated automatic valve
- Wall-mounting bracket
- Roller hose guide allows the hose to run out in any direction
- Adjustable brake
- Clockwise rotation
- NOHA installation instructions
- Jet/ spray/shut-off nozzle

INLET

3/4 inch Male BSP

OPTIONS

19mm or 25mm.
 Maximum length of hose 30 metres.

SUPPLIED WITH

- Hose reel with side discs powder coated RAL 3001 red gloss 15
- Integrated automatic valve
- Mounting template
- Swinging arm with internal water ways, hinged on the right
- Adjustable brake
- NOHA Installation instructions
- Jet / spray/ shut-off nozzle

INLET

1 inch Male BSP

OPTIONS

19mm or 25mm.
 Maximum length of hose 30 metres.



Our NOHA Automatic Hose Reels are CE Marked according to NS-EN671-1