



Flanges

Our flanges are available in a number of sizes in raised face, flat faced and threaded variations. They are cast from aluminium, brass, gun metal or carbon steel.

OPTIONS:

Raised Face – The Raised Face (RF) is the most common type used in process plant applications. The gasket surface of the flange is raised above the bolting circle face. This concentrates more pressure on a smaller gasket area and increases the pressure containment of the joint.

Flat Face – flange has a gasket surface in the same plane as the bolting circle face. Applications using flat face flanges are frequently those in which the mating flange or flanged fitting is made from a casting. Flat face flanges are never to be bolted to a raised face flange.

Threaded Flanges can be supplied with matching threads and a variety of coupling connection options to suit.

Raised face flanges are not recommended in copper alloy. Other specs available: JIS, NF, DIN etc.

Other Sizes available upon request.

MATERIALS: Aluminium
 Brass
 Gun Metal
 Carbon Steel

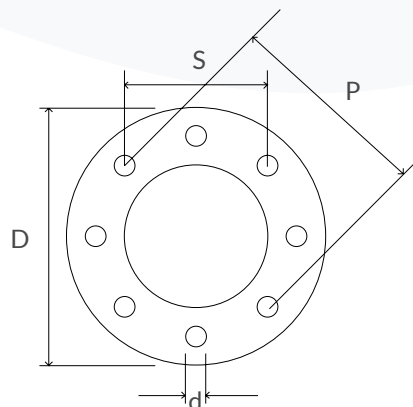
Table D or E (* Table E)				
Size (inch)	P (inch)	D (inch)	d (inch)	Holes
1 ½	3.875	5.25	.563	4
2	4.5	6.0	.687	4
2 ½	5.0	6.5	.687	4
3	5.75	7.25	.687	4
4	7.0	8.5	.687	4/8*

ANSI (ASA)				
Size (inch)	P (inch)	D (inch)	d (inch)	Holes
1	3.125	4.25	.625	4
1 ½	3.875	5.0	.625	4
2	4.75	6.0	.75	4
2 ½	5.5	7.0	.75	4
3	6.0	7.5	.75	4
4	7.5	9.0	.75	8
6	9.5	11.0	.875	8

NP10 / 16 BS 4504				
Size (mm)	P (mm)	D (mm)	d (mm)	Holes
40	110	150	18	4
50	125	165	18	4
65	145	185	18	4
80	160	200	18	8
100	180	220	18	8
150	240	285	22	8

This drawing shows 8 bolt holes. Although nearly all common specifications are 4 or 8, some specs. (eg some french) have 6 holes. If it is not possible to measure P (Pitch Circle Diameter) then it can be found by measuring S and multiplying by 1.414.

$$P = S \times 1.414$$



D = Diameter of the flange

d = Diameter of drilled bolt hole

P = Pitch circle diameter, measured from centre of drilled bolt holes

S = Measurement used in the formula to determine the value of P