



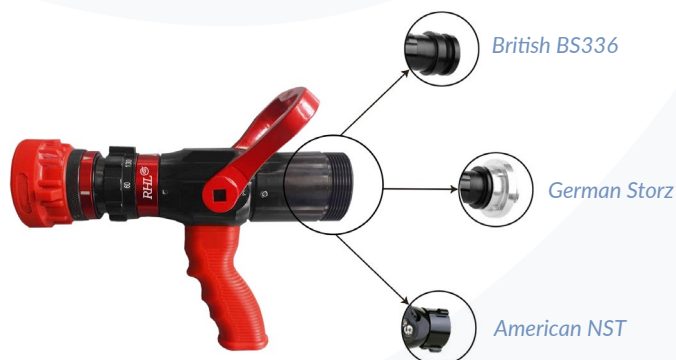
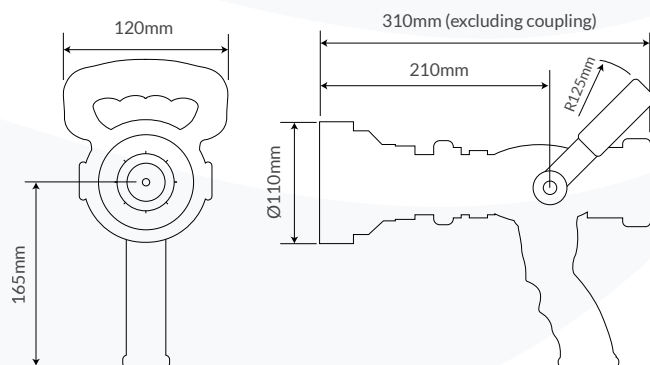
## Venom Turbo 950 Nozzle

The Venom Turbo 950 Hose Nozzle is the flagship of our turbo hose nozzle range. Boasting an extremely high maximum flowrate of 950 litres per minute and up to 16 bar working pressure this unit can cope with the most extreme applications. The Venom Turbo 950 Nozzle is the ideal nozzle for applications that specifically require a high level of water dousing in rapid time.

### FEATURES

- Flow pattern identification.
- Hard Anodized Aluminium.
- Laser engraved settings.
- Simple to operate (¼ turn from straight stream to fog).
- Raised identification lug on the bumper to assist in low visibility operations.
- Easy to service and repair.
- Compatible with foam making equipment.

Technical Specification	
Weight	2.8 kg
Materials	Body - Hard Anodized Aluminium Valve - ABS Handle - Powder Coated Aluminium Bumper - Rubber
Working Pressure	Advised - 12 bar Max - 16 bar
Max Fog Angle	120°
Throw Range	55m at 7 bar
Flow Range	360 litres/min at 7 bar 475 litres/min at 7 bar 570 litres/min at 7 bar 760 litres/min at 7 bar 950 litres/min at 7 bar Flush
Coupling Options	Instantaneous BS336 American NST Guillemin / DSP Rotta & Gost and many more



## VENOM TURBO 950 NOZZLE OPERATION

### KEY PARTS :

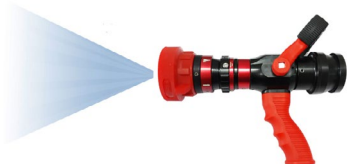
- 1 **Valve Close:**  
Push the handle forward
- 2 **Valve Open:**  
Push the handle backward
- 3 **Flow Rate Adjust:**  
Twist the flow adjust ring to obtain required flow rate
- 4 **SS-FOG Pattern:**  
Twist the rubber bumper



## NOZZLE PERFORMANCE



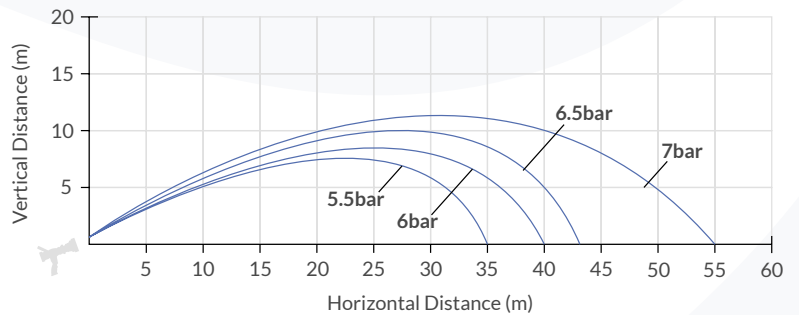
STRAIGHT STREAM



NARROW FOG



WIDE FOG



Testing Enironment: 30° throw angle, wind speed ≤2m/s