



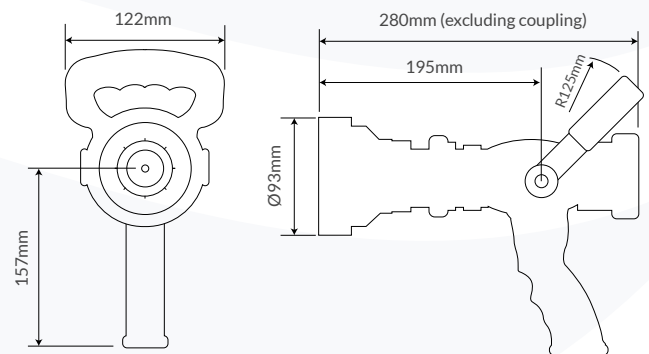
Venom Turbo 475 Nozzle

The Venom Turbo 475 Hose Nozzle is the most popular of the Venom range offering a medium-high maximum flow rate of 475 litres per minute and can work at a maximum pressure of 16 bar making it suitable for industrial users and firefighters alike.

FEATURES

- Flow pattern identification.
- Hard Anodized Aluminium.
- Laser engraved settings.
- Simple to operate (¼ turn from straight stream to fog).
- Raised identification lug on the bumper to assist in low visibility operations.
- Easy to service and repair.
- Compatible with foam making equipment.

Technical Specification	
Weight	1.6 kg
Materials	Body - Hard Anodized Aluminium Valve - ABS Handle - Powder Coated Aluminium Bumper - Rubber
Working Pressure	Advised - 12 bar Max - 16 bar
Max Fog Angle	120°
Throw Range	40m at 7 bar
Flow Range	115 litres/min at 7 bar 230 litres/min at 7 bar 360 litres/min at 7 bar 475 litres/min at 7 bar Flush
Coupling Options	Instantaneous BS336 American NST Guillemin / DSP Rotta & Gost and many more



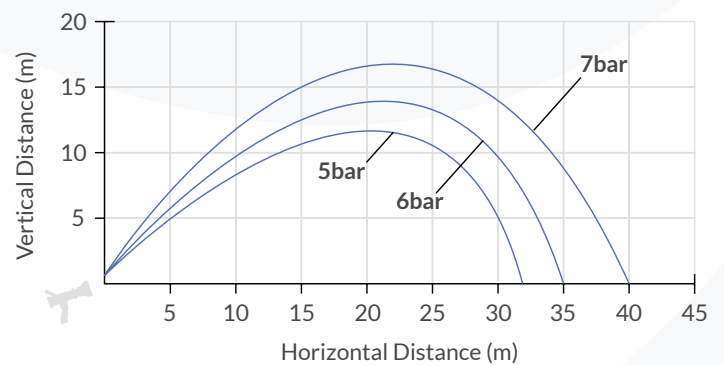
VENOM TURBO 475 NOZZLE OPERATION

KEY PARTS :

- 1 **Valve Close:**
Push the handle forward
- 2 **Valve Open:**
Push the handle backward
- 3 **Flow Rate Adjust:**
Twist the flow adjust ring to obtain required flow rate
- 4 **SS-FOG Pattern:**
Twist the rubber bumper



NOZZLE PERFORMANCE



Testing Enironment: 30° throw angle, wind speed ≤2m/s