

Venom Turbo 235 Nozzle

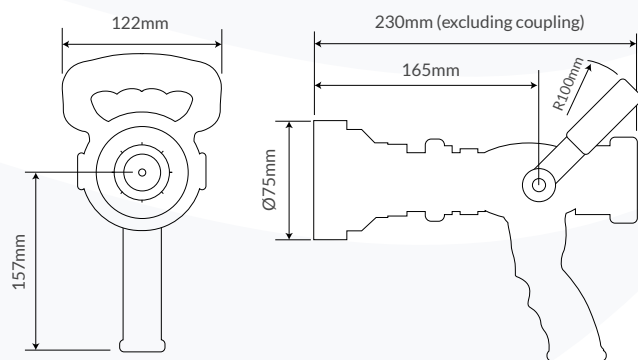


The Venom Turbo 235 Hose Nozzle is the most compact of the range, boasting all the key features found throughout the Venom Turbo Nozzle range. It has a maximum flow of 235 Litres per minute and a maximum working pressure of 10 bar making it the ideal nozzle for a wide range of industrial applications.

FEATURES

- Flow pattern identification.
- Hard Anodized Aluminium.
- Laser engraved settings.
- Simple to operate ($\frac{1}{4}$ turn from straight stream to fog).
- Raised identification lug on the bumper to assist in low visibility operations.
- Easy to service and repair.
- Compatible with foam making equipment.

Technical Specification	
Weight	1.6kg
Materials	Body - Hard Anodized Aluminium Valve - ABS Handle - Powder Coated Aluminium Bumper - Rubber
Working Pressure	Advised - 6 bar Max - 10 bar
Max Fog Angle	120°
Throw Range	20m at 6 bar
Flow Range	60 litres/min at 6 bar 130 litres/min at 6 bar 235 litres/min at 6 bar
Coupling Options	Instantaneous BS336 American NST Guillemin / DSP Rotta & Gost and many more



VENOM TURBO 235 NOZZLE OPERATION

KEY PARTS :

- 1 **Valve Close:**
Push the handle forward
- 2 **Valve Open:**
Push the handle backward
- 3 **Flow Rate Adjust:**
Twist the flow adjust ring to obtain required flow rate
- 4 **SS-FOG Pattern:**
Twist the rubber bumper



NOZZLE PERFORMANCE



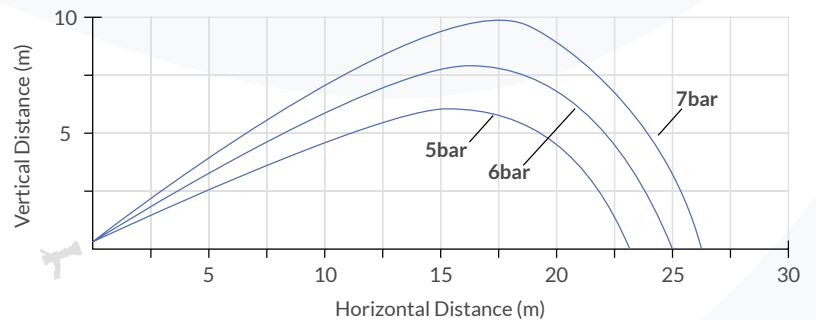
STRAIGHT STREAM



NARROW FOG



WIDE FOG



Testing Environment: 30° throw angle, wind speed ≤2m/s