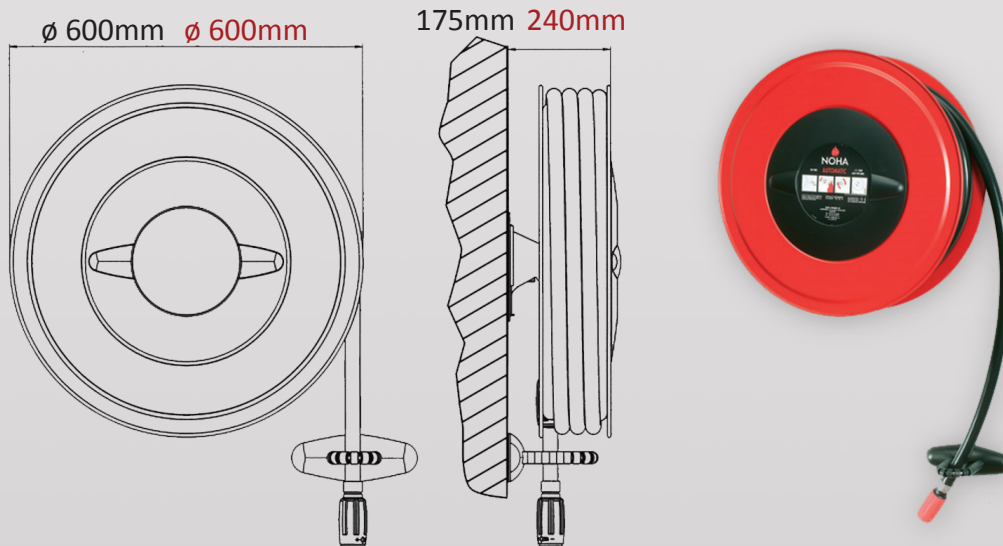


Fixed Fire Hose Reel with Automatic stop valve for wall mounting



The automatic stop valve opens to provide full capacity within just two revolutions of the reel.
For use in factories, warehouses and showrooms.

CE MARKED ACCORDING TO NS-EN671-1 AND SUPPLIED WITH:

- Hose reel with side discs powder coated RAL 3001 red gloss 15
- Integrated automatic valve
- Quick-change coupling system on reel outlet
- Wall-mounting bracket
- Roller hose guide allowing the hose to be run out in any direction
- Centre parts made of brass
- Adjustable brake
- Clockwise rotation
- NOHA installation instructions
- Jet/ spray/shut-off nozzle

Inlet

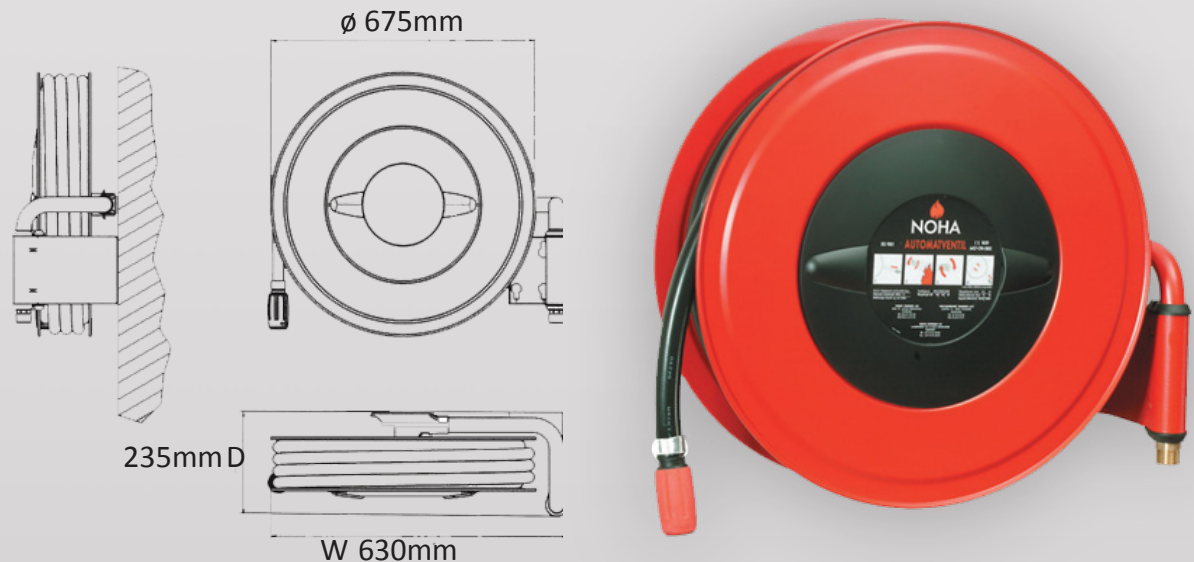
1" Female BSP

Options

19mm
25mm (Same dimensions)

Maximum length of hose 30m.

Swinging Fire Hose Reel with Automatic stop valve for wall mounting



The automatic stop valve opens to provide full capacity within just two revolutions of the reel.
For use in factories, warehouses and showrooms.

CE MARKED ACCORDING TO NS-EN671-1 AND SUPPLIED WITH:

- Hose reel with side discs powder coated RAL 3001 red gloss 15
- 1" manual stop valve
- Quick-change coupling system on reel outlet
- Jet / spray/ shut-off nozzle
- Mounting template
- Swinging arm with internal water ways, hinged on the right hand side
- Centre parts made of brass
- Adjustable brake
- Installation instructions
- Jet/ spray/ shut-off nozzle

Inlet

1" Male BSP

Options

19mm
25mm (Same dimensions)

Maximum length of hose 30m.