

Instantaneous Couplings

(16 Bar)



2 1/2" INST (BS336)

The 2 1/2" Instantaneous coupling system is used for a variety of water delivery applications to connect hoses together and to other pipework and fittings. It comprises of a male and female two part connection which are held securely in position by two internal spring loaded plunger mechanisms in the female half which lock in place behind a raised lip on the male half. Both plungers must be fully retracted to allow separation of the two parts. Water flow is normally from the female half into the male half. The hose tails have a double rib arrangement which facilitate wire binding or hose clamps.

Working Pressure 16 Bar

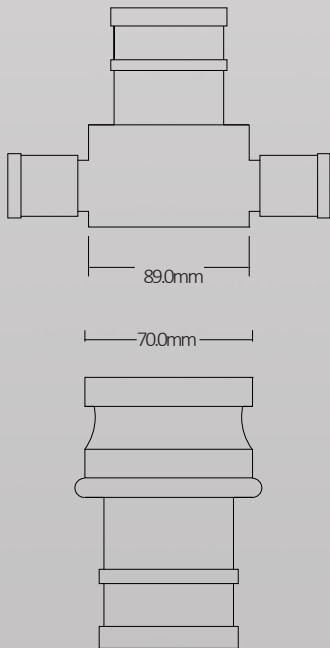
1 1/2" INST (FETA)

The 1 1/2" Instantaneous system to FETA Standard is only available with 38mm hose tails.

Working Pressure 16 Bar

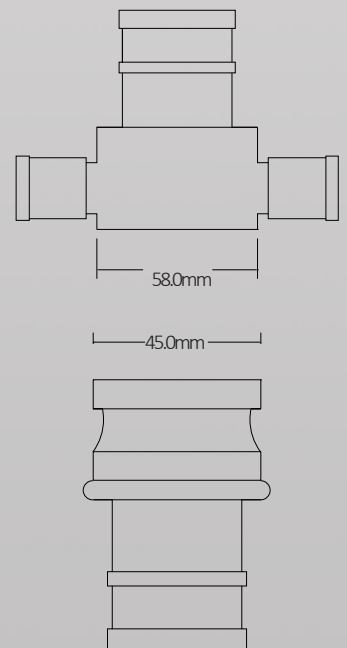
Materials

Aluminium, Gun Metal, Anodised, Stainless Steel and Chromium Plated Gun Metal.



2 1/2" INST

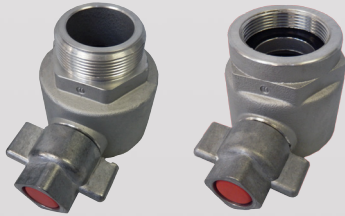
Weight per pair (gms)			
Size	Tail	Aluminium	Gun Metal
64mm	1/2"	80	N/A
	3/4"	85	N/A
	1"	90	250
	1 1/2"	95	280
	1 3/4"	98	285
	2"	99	295
	2 1/2"	100	310
	2 3/4"	110	315
	3"	120	320
38mm	1 1/2"	40	100



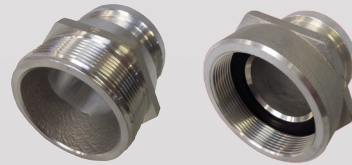
1 1/2" INST

Instantaneous Adaptors

Instantaneous adaptors allow threaded pipework or hose connections to be converted to an Instantaneous system and can also be used to connect two differing hose system types. (16 Bar)



64mm Inst Female x BSP Thread



64mm Inst Male x BSP Thread

Inst	BSP Male	BSP Female
Fem	¾"	¾"
Fem	1"	1"
Fem	1 ½"	1 ½"
Fem	2"	2"
Fem	2 ½"	2 ½"
Fem	3"	3"

Inst	BSP Male	BSP Female
Fem	1 ½"	1 ½"
Fem	1 ½"	2"

Inst	BSP Male	BSP Female
Male	¾"	¾"
Male	1"	1"
Male	1 ½"	1 ½"
Male	2"	2"
Male	2 ½"	2 ½"
Male	3"	3"

Inst	BSP Male	BSP Female
Male	1 ½"	1 ½"
Male	1 ½"	2"

Materials

Light Alloy, Gun Metal, Stainless Steel, Anodised

Thread options

BSP Parallel, BSP Taper, NPT, BSRT, NH/NST

Double Ended Inst Adaptors

BS336 Inst adaptor available as a double male or female.



Spare Washers

To suit both 1 ½" and 2 ½" Size.

